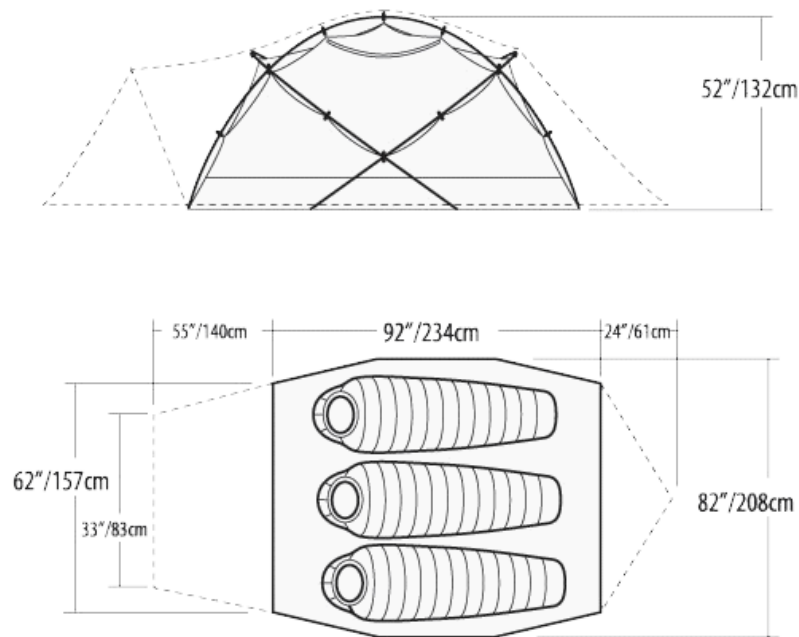


MT. KILIMANJARO / MT. KENYA SPECS OVERVIEW

Category	Item	Included
CREW	Trained Mountain guide (s)	y
	Assistant guide (s)	y
	Camp Crew (s)	y
	Cook (s)	y
	Porters	y
CLIENT TENTS	3 person "pup" tent used for 2 people	y
	Foam Pad	y
MESS TENT	Lightweight Mess Tent	y
	Lightweight tables	y
	Stools	y
SAFETY DEVICES	Pulse oximeter	y
	Altitude sickness checklists	y
	Stocked first aid kit	y
	Custom evacuation stretcher	y
	Oxygen	y
OTHER	Full trip and safety briefing	y
	Toilet tent with chemical toilet seat	y

Client Sleeping Tent: Mountain Hardwear Trango 3.

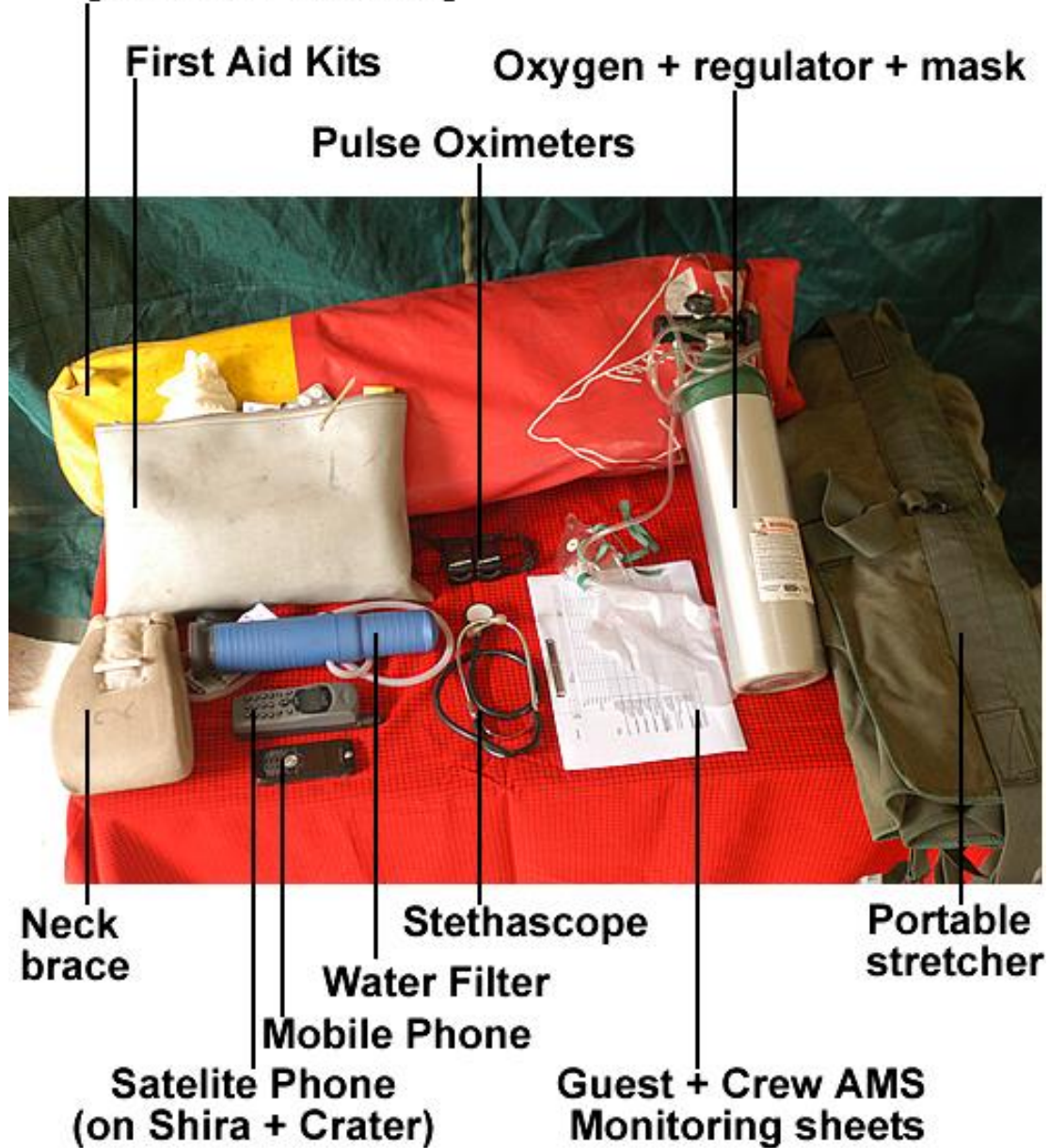
NOTE: MAX 2 people PER TENT with this specification



FLOOR AREA = 48 SQ. FT. / 4.46m²

STANDARD SAFETY DEVICES

**Portable Altitude Chamber
[on crater ascents]**



CREW NUMBERS

Sometimes people are a little shocked at the numbers of crew involved in these expeditions but bear in mind that you are trekking for multiple days where complete camps have to be carried up and down with all food as well. The employment benefits from these trips are significant and with our teams you'll love the camaraderie too.

The numbers of porters vary with specification. Generally we tend to have higher numbers of crew than 'budget' operators. Why? Because we do not overload our porters and we carry essential extras such as stretchers, oxygen, first aid kits, mess tents for all specifications, fresh food and so on.

Below is an example of the number of crew members involved in a standard expedition:

Mountain	Specification	Guests	Guides	Camp crew	Cooks	Porters	Total
Kilimanjaro	Standard	4	2	1	1	20	24
Kenya	Standard	4	2	1	1	20	24